

PROD TECHNICAL SPECIFICATIONS

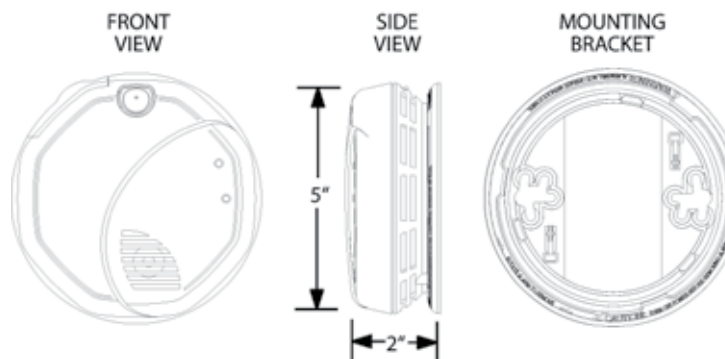
SC0500B	Operating Voltage:	Two 1.5V AA Batteries	Listing:	ETL to UL 217 and 2034 standards
	Humidity Range:	10% - 95% relative humidity (RH)	Alarm Weight:	8.4 oz.
	Smoke Sensor:	Photoelectric	Individual Carton Weight:	0.66 lbs.
	CO Sensor:	Electrochemical	Master Pack Weight:	8.4 lbs.
	Wiring:	N/A	Pallet Weight:	794.2 lbs.
	UPC:	0 29054 51306 9	12 of 5:	100 29054 51306 6

CO511B	Operating Voltage:	Two 1.5V AA Batteries	Listing:	ETL to UL 2034 standard
	Humidity Range:	10% - 95% relative humidity (RH)	Alarm Weight:	8.4 oz.
	Smoke Sensor:	N/A	Individual Carton Weight:	0.66 lbs.
	CO Sensor:	Electrochemical	Master Pack Weight:	8.4 lbs.
	Wiring:	N/A	Pallet Weight:	794.2 lbs.
	UPC:	0 29054 00291 4	12 of 5:	100 29054 00291 1

SA511B	Operating Voltage:	Two 1.5V AA Batteries	Listing:	ETL to UL 217 standard
	Humidity Range:	10% - 90% relative humidity (RH)	Alarm Weight:	8.3 oz.
	Smoke Sensor:	Photoelectric	Individual Carton Weight:	0.66 lbs.
	CO Sensor:	N/A	Master Pack Weight:	8.4 lbs.
	Wiring:	N/A	Pallet Weight:	794.2 lbs.
	UPC:	0 29054 00292 1	12 of 5:	100 29054 00292 8

SA520B	Operating Voltage:	120V AC with battery backup (Two 1.5V AA Batteries)	Listing:	ETL to UL 217 standard
	Humidity Range:	10% - 90% relative humidity (RH)	Alarm Weight:	9.3 oz.
	Smoke Sensor:	Photoelectric	Individual Carton Weight:	.74 lbs.
	CO Sensor:	N/A	Master Pack Weight:	9.4 lbs.
	Wiring:	Quick connect plug with pigtails	Pallet Weight:	882.2 lbs.
	UPC:	0 29054 00205 1	12 of 5:	100 29054 00205 3

COMMON TECHNICAL SPECS	COMMON SHIPPING SPECS	INDIVIDUAL CARTON	MASTER PACK
Alarm Dimensions: 5" Dia. X 2" High	Dimension	5.13"L x 2.38"W x 5.13"H	10.75"L x 7.88"W x 11.06"H
Temp Range: 40°F (4°C) to 100°F (38°C)	Cube	0.04 ft³	0.54 ft³
Audio Alarm: 85 decibel alarm	Quantity	1	12
Operating Frequency: 915 MHz. FCC approved. Complies with Part 15 of the FCC Rules	PALLET INFORMATION		
RF Linking: Automatic with 65,000 security codes	Cases Per Layer	22	
Alarm Reset: Automatic when smoke and/or CO clears, depending on model	Number of Layers	4	
Test/Silence Feature: Electronically simulates smoke and/or carbon monoxide condition (depending on model)	Cases Per Pallet	88	
Interconnections: Up to 18 units, RF or hardwired, with smoke, carbon monoxide, heat alarms and relays. Maximum 12 smoke alarms	Units Per Pallet	1,056	
	Cube	54.0 ft³	



ONELINK
All Alarms Respond as One

First Alert

BRK Brands, Inc.
3901 Liberty Street Road
Aurora, IL 60504-8122
Phone: 630-851-7330
Tech Services: 800-323-9005
www.firstalert.com, www.brkelectronics.com
OneLink is a registered trademark of BRK Brands, Inc.
First Alert is a registered trademark of the First Alert
Trust used under license.
©2007 BRK Brands, Inc., a Jarden Corporation company (NYSE:JAH)
CM2830

First Alert

ONELINK®

All Alarms Respond as One

Cost Effective Retrofit & Remodel Solutions



ONELINK®

Cost Effective Retrofit & Remodel Solutions

- Wireless interconnect technology eliminates the need to pull wires through existing walls
- Save an average of between \$150 - \$200** per alarm when compared to retrofitting hardwired alarms in existing walls or ceilings
- Faster job turnaround - 4X more jobs completed increases your profits
- Photoelectric sensing technology saves maintenance calls with fewer nuisance alarms.

Putting the Innovation in Renovation

When it comes to alarm renovation and retrofit projects, choices have been limited. Installing battery operated alarms and sacrificing interconnectability or investing in the time and labor to retrofit hardwired alarms have been the only options available.* Until Now! First Alert OneLink eliminates the need to pull wires through existing walls saving time, money and labor.

No matter what your renovation project, First Alert OneLink provides a cost effective solution:

Home Addition Projects:

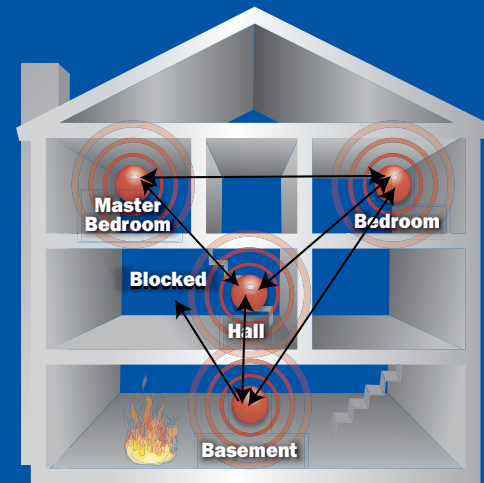
Using the First Alert OneLink hardwired "Bridge Unit" (SA520B), simply replace one hardwired alarm in the existing section and add one to the new section. Wireless technology saves time, material and labor to connect to the existing alarm circuit. Now add standard BRK hardwired alarms as required in the new section and other First Alert OneLink battery alarms in the old section to complete the alarm safety system and bring entire home up to code. All alarms, hardwired and battery, existing and new are now interconnected.

Retrofit Projects:

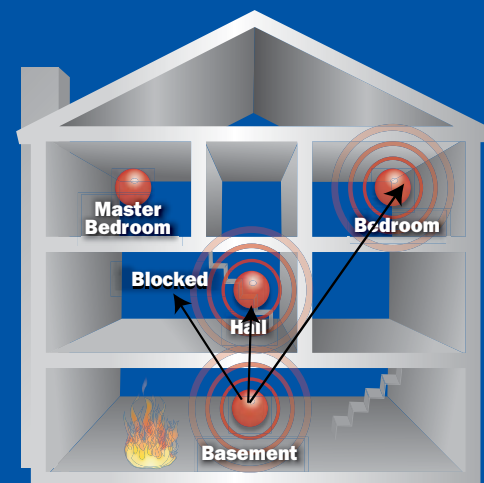
Property Owners, Facility Managers and Electrical Contractors can all benefit from installing First Alert OneLink alarms for existing retrofit projects. Saving \$150 - \$200** per alarm and increasing job turnaround 4X are key reasons to consider First Alert OneLink alarms for all of your renovation projects.

Mesh Network Communication

First Alert OneLink alarms operate on a "mesh network"; a 2-way communication format that sends, receives and then re-sends the alarm signals. If the initiating alarm signal is blocked from reaching one of the alarms, the mesh network communication reroutes and re-sends the signal via the other alarms as shown in the illustration. With competitive one-way wireless communication, only the initiating alarm sends a signal which may never be received, leaving the blocked alarm deadly silent.



ONELINK®
Mesh Network Communication



Competitive Wireless One-Way Communication

First Alert® ONELINK® Technology

All ONELINK alarms include these quality innovative features:



RF Interconnect: Reliable and secure radio frequency communication between alarms. 915 MHz frequency with 65,000 security codes and 3 channel frequency hopping.



Photoelectric Technology: Helps reduce nuisance alarms, especially around kitchens and baths which are more prone to nuisance alarms from cooking smoke and shower steam.



Optipath 360 Technology™: Patented technology provides 360 degrees of direct access to smoke sensor.



Spread Spectrum Horn Tone: Lower and varying horn frequency makes it easier for elderly with normal age related hearing loss to hear horn. Sweeps through the 2200 - 3400 Hz range.



Test/Silence Button: Tests alarm functions and battery. Silences unwanted alarms. Two silence features - Temporarily silence low battery chirp for up to 8 hours before replacing battery or silence unwanted alarm for several minutes.



Perfect Mount: mounting bracket keeps alarm secure over a wide rotation range to allow for perfect alignment.



Dust Cover: Keeps alarm clean during construction.



Latching Features Alarm Latch: Easily identifies initiating alarm even after alarm condition has subsided. **Low Battery Latch:** Identifies which unit is in low battery condition. Both features activate for up to 15 minutes. (excludes SA520B)



SC0500B

Wireless Photoelectric
Battery Combination
Smoke & CO Alarm

Exclusive!
Voice Warning!
WITH LOCATION™

- **Exclusive!** Voice alarm with programmable location. Programmable with up to 11 locations (ex. "basement"). When alarm sounds (if programmed for basement), it will say, "**Warning, Evacuate, Smoke in Basement**". If other First Alert OneLink Voice Warning alarms are located throughout the house they will also signal, "**Warning, Evacuate, Smoke in Basement**".
- Add additional battery-operated **First Alert ONELINK** Enabled Alarms to create a wireless safety network.
- 5-year limited warranty.



C0511B

Wireless Battery
Carbon Monoxide Alarm

- Easily add CO alarms outside bedrooms and on every level of the home to create a wireless safety network.
- 5-year limited warranty



SA511B

Wireless Photoelectric
Battery Smoke Alarm

- Easily add smoke alarms to every bedroom to create a wireless safety network.
- 10-year limited warranty.



SA520B

Bridge Unit-Wireless Photoelectric
120-Volt AC/DC Hardwired Smoke Alarm

- Easily expand an existing interconnected 120V AC system by replacing one alarm in the series with this alarm.
- Add additional battery-operated **First Alert ONELINK** Enabled Alarms to expand without wires.
- 10-year limited warranty.

*Local codes permitting
**Note: Based on average retrofitting costs of time, material and labor to connect to existing alarm circuit, drywall repairs, painting, etc. Special cases that require conduit, wire mold, concrete drilling, etc. would add additional costs and increase savings.