

CARBON MONOXIDE ALARM

CAT. **C0605B**



ELECTROCHEMICAL CO SENSOR

Most accurate technology available for detecting carbon monoxide as compared to other sensing technologies

TWO SILENCE FEATURES

Silences low battery chirp for up to eight hours or silence nuisance alarm for several minutes.

END OF LIFE SIGNAL

Provides audible and visual notice when alarm needs to be replaced.

9V BATTERY INCLUDED



First Alert®

120V AC Plug-in with 9V Battery Backup

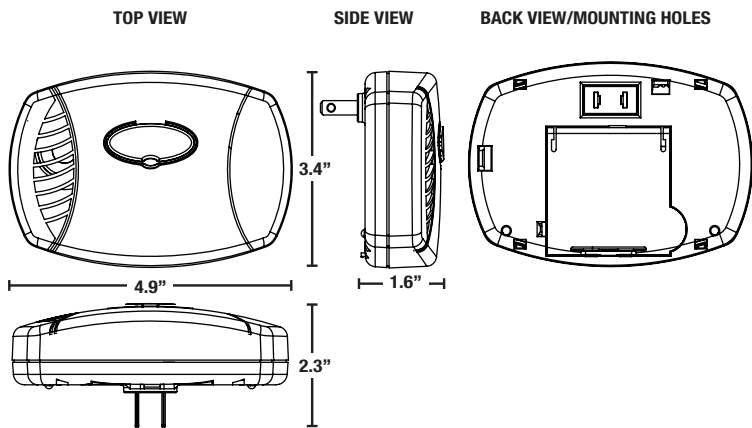
Description:

The First Alert Cat. No. C0605B is a direct plug-in, 120V AC, 60Hz single station carbon monoxide alarms specifically designed for residential and institutional applications including sleeping rooms of hospitals, hotels, motels, dormitories and other multi-family dwellings as defined in standard NFPA 720. C0605B complies with UL2034, NFPA 720 and other agencies that model their codes after the above agencies. C0605B meets codes where plug-in AC with battery backup carbon monoxide alarms are required.

First Alert C0605B features an electrochemical CO sensor, an 85dB horn, End of Life and silence features, a single button for test/silence and an LED power indicator. The low power warning indicator will cause the alarm to “chirp” when the battery needs replacing. The low power warning indicator can be silenced for up to 8 hours. C0605B can be plugged directly into an outlet.



CAT. C0605B



ARCHITECTURAL AND ENGINEERING SPEC

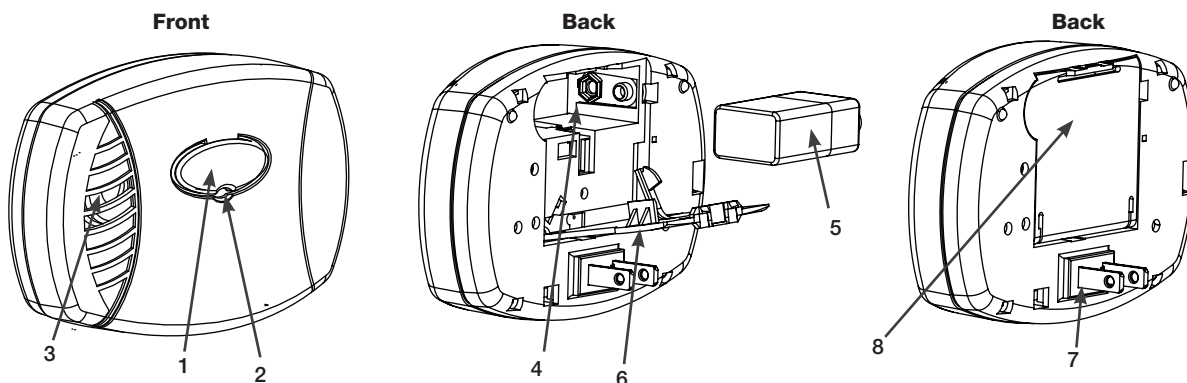
The carbon monoxide alarm shall be a First Alert Model C0605B and shall provide at a minimum the following features and functions:

1. An electrochemical CO sensor.
2. The unit shall have an "End of Life" signal. This signal should be capable of temporarily being silenced for up to 2 days. After about 2 days, the signal will resume. After about 2-3 weeks the signal cannot be silenced.
3. Powered by 120V AC, 60Hz with a 9V battery backup and a solid state piezo horn rated at 85dB at 10 ft.
4. A visual LED power-on indicator to confirm unit is receiving power or is in alarm.
5. Two Silence features - Low Battery Silence: Silence low battery chirp for up to 8 hours. Alarm Silence: Temporarily silence unwanted nuisance alarms.
6. A full function test button should check all alarm functions by simulating a CO condition, causing the unit to alarm.
7. The CO sensor is adjusted not to detect CO levels below 30 PPM and will not alarm when exposed to constant levels of 30 PPM for 30 days. It will alarm at the following levels: 400 PPM CO between 4 and 15 minutes, 150 PPM CO between 10 and 50 minutes and 70 PPM CO between 60 and 240 minutes.
8. The unit shall be capable of operating between 40°F (4°C) and 100°F (38°C) and relative humidity between 10% and 95%.
9. The unit shall at a minimum meet the requirements of UL2034, NFPA 720, NFPA 101, ICC.

INSTALLATION OF ALARM

Installation of this alarm must conform to NFPA 720. Always check your local building codes. Follow all instructions for placement as outlined in the user's manual.

THE PARTS OF THIS CO ALARM



1. Test/Silence button
2. POWER/ALARM Light
3. Horn
4. Install 9V battery here
5. 9V Battery
6. Battery Drawer
7. Electrical Plug
8. Battery Drawer Closed

TECHNICAL SPECS

Alarm Dimensions:	4.9"L x 3.4"H x 1.6"D (with plug: 2.3")
Weight:	6.4 oz
Operating Voltage:	120V AC with 9V Battery Backup
Temperature Range:	40°F (4°C) to 100°F (38°C)
Humidity Range:	10% to 95% relative humidity (RH)
Audio Alarm:	85dB at 10 feet
Test/Silence:	Electronically simulates CO condition, causing the unit to alarm. Press and hold test/silence button.
Alarm Reset:	Automatic when CO clears
CO Sensor:	Electrochemical
Indicator Lights/Sounds:	
AC Power:	Constant Red LED
DC Power:	Intermittent Red LED
Local Alarm:	Audio Alarm (4 beeps, pause, 4 beeps), rapidly flashing Red LED
Listing:	Listed to UL2034 Standard

SHIPPING SPECS

Individual Carton Dimensions	5.50"L x 3.38"H x 2.25"D
Weight	0.49 lbs.
Cube	0.02 ft ³
UPC	0 29054 00072 9
Master Carton Dimensions	7.25"L x 7.13"W x 6.06"H
Master Pack	6
Weight	3.2 lbs.
Cube:	0.18 ft ³
I2of5:	600 29054 00072 1
Pallet Information	
Cases per Layer	30
Number of Layers:	7
Cases per Pallet:	210
Units per Pallet:	1,260
Cube:	43.0 ft ³
Weight:	734 lbs.



©2013 BRK Brands, Inc. a Jarden Corporation
Company (NYSE: JAH)
3901 Liberty Street Road
Aurora, IL 60504-8122
All rights reserved

First Alert is a registered trademark of the First Alert Trust
BRK is a registered trademark of BRK Brands, Inc.
CM3176