



Onelink

cat. **DC10-500B**

Wi-Fi & Bluetooth Smoke + Carbon Monoxide Alarm Lithium Battery Powered

Wireless Connectivity

Bluetooth BLE communication between alarms and Wi-Fi to connect to your iOS device wherever you are in the world.

Flood Mesh Network Communication

2-way communication format that sends, receives and re-sends the alarm signals providing a more reliable network.

App

Receive notifications in case of an alarm, test and silence, check alarm battery life levels, alarm history, and CO levels.

Talking Alarm

Voice and location technology tells you the type of danger and the location. Choose from 13 pre-programmed alarm locations. Plan safest path to exit.

Multi-Color Indicator Ring

Multi-color light ring provides visual indication of various alarm states.

2-in-1 Protection

Detects smoke and carbon monoxide in one alarm. Provides best protection throughout the home.

Photoelectric Smoke Sensor

Helps reduce false alarms caused by cooking smoke or shower steam.

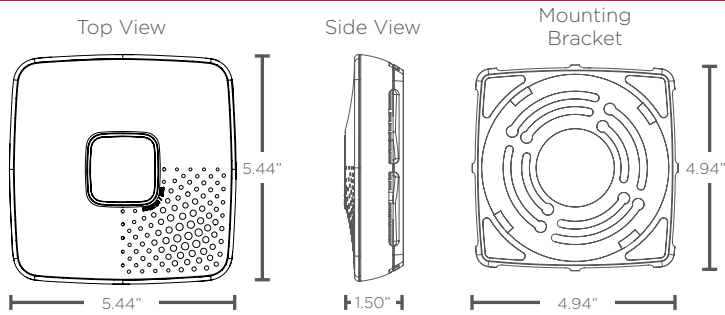
First Alert Onelink DC10-500B (model 1036470) is a combination smoke and CO alarm specifically designed for residential and institutional applications including sleeping rooms of hospitals, hotels, motels, dormitories, and other multifamily dwellings as defined in standard NFPA 101. It has been fully tested and complies with, UL217, UL2034, CSFM, NFPA 72, NFPA 720, HUD, CSFM and NFPA 101 and other agencies that model their codes after the above agencies. It meets building codes where battery powered smoke and CO alarms are required either separately or in combination along with wireless interconnect, voice with location and silence features and with model building codes published by the ICC.

- Wirelessly interconnect with Onelink AC powered product (model: AC10-500) to provide whole home connectivity.
- Homeowners will receive alerts on their smart phone in the event of a smoke or carbon monoxide emergency
- Onelink will talk, stating what and where the danger is (smoke or CO)
- Latest safety features and sensing technologies complies with current legislation requirements
- The power of 5 year sensors and 5 year warranty cut down maintenance and battery costs
- Onelink Home App provides notification, logs history and allows for testing and silencing the alarm



cat. DC10-500B

Line Drawing Specifications



Architectural And Engineering Specs

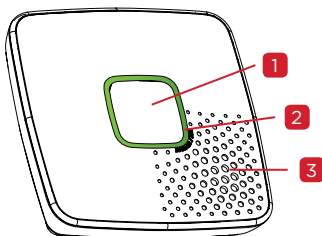
The alarm shall be a BRK/First Alert Model DC10-500 and shall provide at a minimum the following features and functions:

1. A photoelectric smoke sensing chamber and an electrochemical CO sensor.
2. The unit shall be capable of self restoring.
3. A fully screened smoke sensing chamber to resist entry of small insects thereby reducing the probability of unwanted alarms.
4. Powered by a lithium batteries.
5. Wireless Interconnect: Bluetooth BLE communication between alarms and Wi-Fi to connect to your iOS device. Typical communication distance between alarms inside a home is 50ft. (15m). Always check to make sure that all Alarms respond properly.
6. A Voice Warning of danger detected in addition to speaking one of 13 pre-programmed locations, e.g. "Warning, Evacuate, Smoke in Basement".
7. Flood Mesh Network Communication: 2-way communication format that sends, receives and re-sends the alarm signals providing a more reliable network.
8. Free App/Activity Log: App provides real time notification and history logging of all events by alarm so you can easily identify condition and troubleshoot incidents such as identifying initiating alarm or low battery condition.
9. A solid state piezo horn rated at 85dB at 10 ft.
10. A low power warning indicator shall cause the alarm to "chirp" when it reaches the end of its service life and needs to be replaced. Upon end of life, the unit shall meet UL requirements for disabling the alarm and the non re-installation of unit to mounting bracket.
11. Multi-Color Indicator Ring: provides visual indication of various alarm states. Green: Normal or completed operation; Blue: Voice prompts or Pairing; Red: Alarm/Warning; Amber: Malfunction/End of Life; White: Night light
12. A full function test button. The test button should check all alarm functions by stimulating the chamber to simulate a smoke or CO condition, causing the unit to alarm. The unit should also have a silence feature to silence unwanted nuisance alarms.
13. The unit shall be capable of operating between 40°F (4°C) and 100°F (38°C) and relative humidity between 10% and 95%.
14. The unit shall contain mounting hardware and shall be listed for wall or ceiling mounting.
15. The unit shall at a minimum meet the requirements of UL217, UL2034, CSFM, HUD, NFPA 72, NFPA 720, NFPA 101, ICC.

Parts of this Alarm

Installation of this alarm must conform to all NFPA 72 and NFPA 720. Always check your local building codes. Follow all instructions for placement as outlined in the user's manual in sections titled "Recommended Locations for Smoke Alarms" and "Locations to Avoid for Smoke Alarms".

Top of Alarm



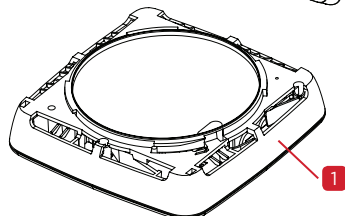
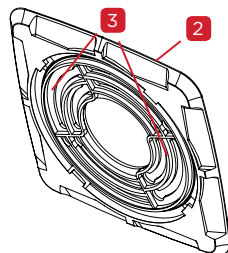
TOP OF ALARM

- 1 Test Silence Button
- 2 Color Indicator Ring
- 3 Speaker/Alarm Horn

BOTTOM OF ALARM

- 1 Alarm
- 2 Mounting Bracket
- 3 Mounting Slots

Bottom of Alarm



Technical Specifications

Alarm Dimensions:	5.44"L x 5.44"W x 1.50"H
Alarm Weight:	11.6 oz
Operating Voltage:	3V Lithium Power
Temperature Range:	40°F (4°C) to 100°F (38°C)
Humidity Range:	10% to 95% relative humidity (RH)
Audio Alarm:	85dB at 10 feet
Voice Output:	Choice of 13 pre-programmed locations
BLE Wireless Frequency:	2.4 GHz. FCC approved. Complies with Part 15 of the FCC Rules.
Wi-Fi:	IEEE 802.11 b/g/n Radio/WLANv
Test/Silence:	Electronically simulates smoke and/or CO conditions causing the unit to alarm. Press and hold test/silence button.
Alarm Reset:	Automatic when smoke and/or CO clears
Smoke Sensor:	Photoelectric
CO Sensor:	Electrochemical
Interconnections:	Up to 18 units, BLE or hardwired (needs AC10-500B Bridge Unit), with smoke, carbon monoxide, heat alarms and relays. Maximum 12 smoke alarms.
Listing:	UL217 and UL2034 Standards

Shipping Specifications

Individual Carton

Dimensions	6.31"W x 3.25"D x 6.50"H
Weight	1.08 lbs.
Cube	0.08 ft ³
UPC	0 29054 01569 3

Master Carton

Dimensions	10.63"L x 6.63"W x 7.13"H
Master Pack	3
Weight	3.6 lbs.
Cube:	0.28 ft ³
I 2of5:	300 29054 01569 4

Pallet Information

Cases per Layer	26
Number of Layers:	7
Cases per Pallet:	182
Units per Pallet:	546
Cube:	58.9 ft ³
Weight:	720 lbs.