

SMOKE & CO COMBO ALARM

MODEL. **SC7010LBLV**

CAT. 1042734



**10YR CO SENSOR
10YR ALARM LIFE
10YR BATTERY BACKUP**

SMOKE & CO COMBO

Electrochemical CO sensor; Photoelectric smoke sensor.

VOICE WARNING WITH LOCATION

A voice will tell you the programmed location of the unit and danger detected.

CO PEAK FUNCTION

Captures highest CO level recorded for post-incident investigation.

LATCHING ALARM INDICATOR

Easily identifies initiating alarm even after condition is silenced.

SINGLE BUTTON TEST/SILENCE

One touch button combines both features.

END OF LIFE SIGNAL

Provides audible notice when alarm needs to be replaced after 10 years.



BRK[®]

THE PROFESSIONAL STANDARD

120V AC/DC with 10 Year Sealed Lithium Battery Backup

Description:

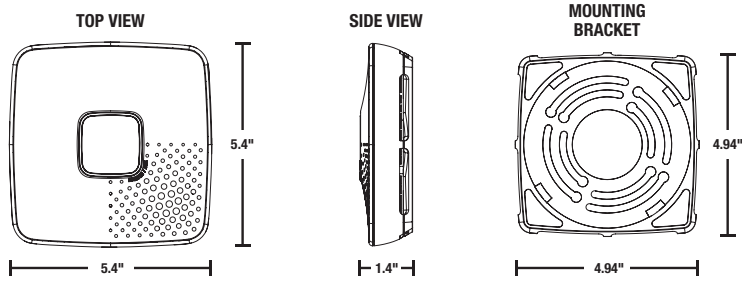
The BRK Model No. SC7010LBLV (CAT. 1042734) is a wire-in, 120V AC 60Hz single and/or multiple station combination smoke and carbon monoxide alarm specifically designed for residential and institutional applications including sleeping rooms of hospitals, hotels, motels, dormitories and other multi-family dwellings as defined in standard NFPA 101. Model SC7010LBLV complies with UL217 and UL2034, CSFM, NFPA 72 and NFPA 720, HUD, FHA and other agencies that model their codes after the above agencies. It meets building codes where AC/DC photoelectric smoke and carbon monoxide alarms with and without voice are required and where 10 year sealed battery backup is specified.

The BRK SC7010LBLV is a state-of-the-art hardwired with 10 year sealed Lithium battery backup smoke/ CO combo alarm that features a photoelectric smoke sensing chamber, an electrochemical CO sensor, an End of Life signal and Voice Warning with Location. This exclusive feature incorporates a voice that will speak one of 13 pre-programmed locations and the danger detected. This alarm features two latching features. Alarm Latch: Easily identifies initiating alarm even after alarm condition has subsided. Battery End of Life Latch: Identifies which unit is in low battery condition by blinking the green power light. Alarm also includes a single test/silence button to test alarm operating and silence nuisance alarms and CO Peak functionality to record highest CO level reached – helpful to first responders after an incident. Other features include an 85dB horn and single button test/silence feature. Connection to AC power is made with a Quick-Connect wiring harness (included).

Voice Warning!
WITH LOCATION™



MODEL. SC7010LBLV CAT. 1042734



ARCHITECTURAL AND ENGINEERING SPECS

The combination smoke and carbon monoxide alarm shall be a BRK Model SC7010LBLV and shall provide at a minimum the following features and functions:

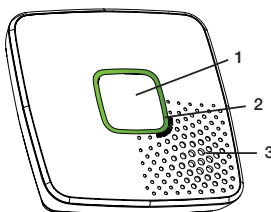
1. A photoelectric smoke sensing chamber and an electrochemical CO sensor both with a 10 year service life.
2. Powered by 120V AC, 60Hz and have a 10-Year Sealed Lithium Battery backup and a solid state piezo horn rated at 85dB at 10 ft. and shall be capable of self restoring.
3. A Voice Warning of Smoke or Carbon Monoxide detected in addition to speaking 13 pre-programmed locations, e.g. "Warning, Evacuate, Smoke in Basement"
4. The unit shall have an "End of Life" signal (5 chirps). This signal should be capable of temporarily being silenced for up to 2 days. After about 2 days, the signal will resume. After about 2-3 weeks the signal cannot be silenced.
5. A visual power-on indicator to confirm unit is receiving AC power or has switched to battery backup mode. Separate LED 's to indicate a smoke or CO alarm.
6. The CO sensor is adjusted not to detect CO levels below 30 PPM and will not alarm when exposed to constant levels of 30 PPM for 30 days. It will alarm at the following levels: 400 PPM CO between 4 and 15 minutes, 150 PPM CO between 10 and 50 minutes and 70 PPM CO between 60 and 240 minutes.
7. Two Latching features: Alarm Latch to easily identify initiating alarm after alarm condition has subsided. End of Life Battery Latch: to visually identify which unit is in low battery condition. Silence Features: Alarm Silence to temporarily silence nuisance alarms.
8. Sealed battery backup compartment. g bracket.
9. The unit shall be capable of operating between 40°F (4°C) and 100°F (38°C) and relative humidity between 10% and 95%.
10. The unit shall have a plug in connector and be capable of interconnection of up to 18 alarms, 12 of which can be smoke alarms.
11. The unit shall at a minimum meet the requirements of UL217 and UL2034, CSFM, NFPA 72 and 720 and the ICC.

INSTALLATION OF ALARM

Installation of this smoke alarm must conform to all local electrical codes and Article 760 of the National Electrical Code (NFPA 70) and NFPA 72. Interconnected units must meet the following requirements: Total length of wire interconnecting units should be less than 1000 feet, be #18 gauge or larger and be rated at least 300V. It is recommended that all units be on the same fuse or circuit breaker. If local codes do not permit, be sure the neutral wire is common to both phases.

THE PARTS OF THIS ALARM

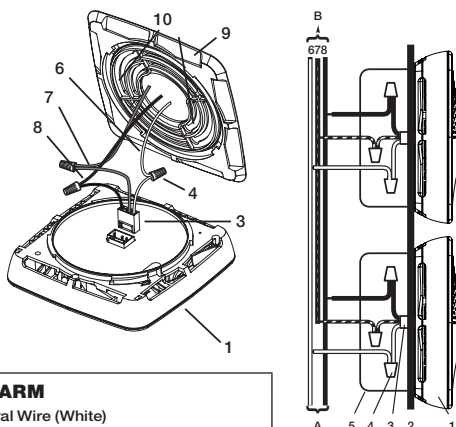
TOP OF ALARM



TOP OF ALARM

1. Test Silence Button
2. Color Indicator Ring
3. Speaker/Alarm Horn

INSTALLED/BOTTOM OF ALARM



INSTALLED/BOTTOM OF ALARM

- | | |
|-----------------------|-------------------------------|
| 1. Alarm | 6. Neutral Wire (White) |
| 2. Ceiling or Wall | 7. Interconnect Wire (Orange) |
| 3. Quick Connect Plug | 8. Hot Wire (Black) |
| 4. Wire Nut | 9. Mounting Bracket |
| 5. Junction Box | 10. Mounting Slots |

- A. From un-switched 120V AC 60 Hz source
 B. To additional units; Maximum = 18 total (Maximum 12 Smoke Alarms)

TECHNICAL SPECS

Alarm Dimensions:	5.4"W x 1.4"D x 5.4"H
Weight:	10.6 oz
Operating Voltage:	120V AC 60Hz with 3V Sealed Lithium battery backup
Power (Standby/Alarm):	0.012 A / 0.065 A
Temperature Range:	40°F (4°C) to 100°F (38°C)
Humidity Range:	10% to 95% relative humidity (RH)
Audio Alarm:	85dB at 10 feet
Voice Output:	Choice of 13 pre-programmed locations warns of smoke or CO danger and location of danger.
Test/Silence:	Electronically simulates smoke or CO condition, causing the unit to alarm. Press and hold test/silence button.
Alarm Reset:	Automatic when smoke or CO clears
Interconnections:	Up to 18 units of First Alert or BRK Smoke, CO and Heat Alarms. Maximum of 12 smoke alarms.
Smoke Sensor:	Photoelectric
CO Sensor:	Electrochemical
Indicator Lights/Sounds:	
AC Power:	Constant Clear LED Light
DC Power:	Intermittent Clear LED Light
Local Alarm:	Red LED flashes, Voice: "Smoke" or "CO" with location
Remote Alarm:	Red LED off, Voice: "Smoke" or "CO" without location
Latching Alarm Indicators:	
Smoke Alarm:	Red LED 2 seconds ON, 2 seconds OFF
CO Alarm:	Blue LED 2 seconds ON, 2 seconds OFF
Battery End of Life:	Green LED 2 seconds ON, 2 seconds OFF
Listing:	Conforms to UL STD 217 & UL STD 2034

SHIPPING SPECS

Individual Carton Dimensions:	5.8"W x 1.8"D x 6.3"H
Weight:	0.73 lbs.
Cube:	0.04 ft ³
UPC:	0 29054 02109 0
Master Carton Dimensions:	12.375"W x 6.25"D x 7.13"H
Master Pack:	6
Weight:	5.8 lbs.
12of5:	100 29054 02109 7
Pallet Information:	
Cases per Layer:	21
Number of Layers:	6
Cases per Pallet:	126
Units per Pallet:	756
Cube:	53.06 ft ³
Weight:	845 lbs.



©2019 BRK Brands, Inc. All rights reserved. Distributed by BRK Brands, Inc. 3901 Liberty Street, Aurora, Illinois 60504. BRK Brands, Inc. is a subsidiary of Newell Brands Inc. (NASDAQ: NWL). BRK is a registered trademark of BRK Brands, Inc.

www.brkelectronics.com