

FIRE EXTINGUISHER

CAT. **FE4A60B**



10 LB DRY POWDER
Monoammonium Phosphate
extinguishing agent.

RECHARGEABLE
Can be recharged after use.

METAL HEAD
Commercial grade metal valve and head.

**EASY TO READ
PRESSURE GAUGE**
Provides fire extinguisher status at a glance.
Needle in green means product is ready to
use, in red, it needs to be recharged or
replaced.

BRACKET INCLUDED
Metal wall bracket for easy mounting.
Also includes plastic belly strap to keep
hose secure.

**MARINE USE
AVAILABLE**
Marine use available with optional
Buckeye #809 bracket.



U.S.C.G. Marine
Approved

Listed to
UL 299 &
UL 711
Standards

First Alert®

Rechargeable Heavy Duty Commercial UL Rated: 4-A: 60-B:C

Description:

First Alert Model FE4A60B is a 10 lb. dry powder fire extinguisher containing monoammonium phosphate fire extinguishing agents and complies with the Standard for Rating and Fire Testing of Fire Extinguishers, ANSI/UL711, CAN/ULC-S508. It also meets performance, listing and labeling standards for dry chemical fire extinguishers as outlined in ANSI/UL299 and CAN/ULC-S504. It has a UL Rating: 4-A: 60-B:C. Dry chemical and dry powder fire extinguishers are intended to be utilized in accordance with the Standard for Portable Fire Extinguishers, ANSI/NFPA 10 and with the National Fire Code of Canada.

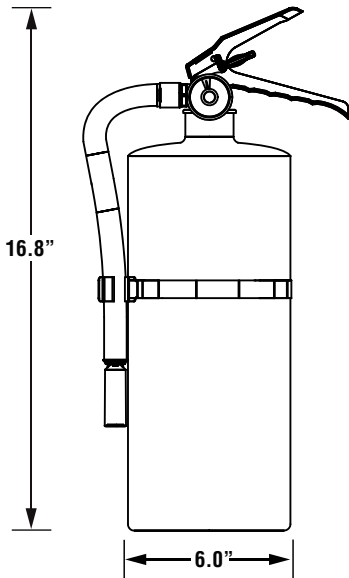
First Alert Cat. No. FE4A60B is a 10 lb. A-B-C fire extinguisher designed for heavy duty commercial use to fight wood, paper, plastic, flammable liquids and electrical fires. The commercial grade metal head is rechargeable and features an easy to read pressure gauge. It comes with a metal wall mount mounting bracket for easy mounting. Also includes plastic belly hose strap to keep hose secure. Can be U.S. Coast Guard approved for marine use when used with optional Buckeye #809 bracket.



CAT. FE4A60B



OVERALL DIMENSIONS



TECHNICAL SPECS

Dimensions:	4.6" dia x 16.0"H
Weight:	16.75 lbs.
Temperature Range:	-65°F (-54°C) to 120°F (49°C)
Pressurized to:	195 psi (1,344 kPa)
Head/Can Type:	Metal/Steel
Rechargeable:	Yes, per Buckeye 133401 Service Manual
Rating/MSDS:	4-A: 60-B:C / Buckeye monoammonium phosphate
Listing:	Listed to UL711, ULC-S508, UL299 and ULC-S504 Standards

SHIPPING SPECS:

Individual Carton Dimensions	6.38 "L x 6.38"W x 17.50"H
Weight	18.0 lbs.
Cube	0.41 ft3
UPC	0 29054 00279 2

Master Carton Dimensions	13.63"L x 6.88"W x 17.75"H
Master Pack	2
Weight	36.6 lbs.
Cube	0.96 ft3
I2 of 5	200 29054 00279 6

Pallet Information	
Cases per Layer	15
Number of Layers	2
Cases per Pallet	30
Units per Pallet	60
Cube	45.0 ft3
Weight	1,163 lbs.

ARCHITECTURAL AND ENGINEERING SPEC

The fire extinguisher shall be a First Alert Model FE4A60B and shall provide at a minimum the following features and functions:

1. Dry chemical fire extinguisher containing monoammonium phosphate fire extinguishing agent.
2. Rated at 4-A: 60-B:C.
3. A commercial grade metal head that is rechargeable per Buckeye 133401 Service Manual and a red steel can.
4. An easy to read pressure gauge with a needle that visually shows fire extinguisher pressure status via a green section signifying pressure is good and a red section signifying unit needs to be recharged or replaced.
5. A metal wall bracket and plastic belly strap to keep hose secure .
6. U.S. Coast Guard approved for marine use with approved bracket. Marine Type, Type-B:C-Size II. Approval 162.028/EX2480. Valid only with bracket number Buckeye 809.
7. The unit shall be capable of operating between -65°F (-54°C) and 120°F (49°C).
8. Pressurized to 195 psi (1,344 kPa). Meets DOT requirements for cylinders. Tested to 585 psi (4,033 kPa).
9. The unit shall at a minimum be listed to and meet the requirements of UL711, ULC-S508, UL299 and ULC-S504.

FIRE EXTINGUISHER CLASSIFICATIONS

It's important to understand how fire extinguishers are classified in order to choose the correct model. BRK Brands, Inc. offers a wide range of residential, marine, commercial, and automotive fire extinguishers to meet the needs of your customers.

This Fire Extinguisher



A TRASH-WOOD-PAPER
Fire extinguishers with a Class A rating are effective against fires involving paper, wood, textiles, and plastics. The primary chemical used to fight these fires is monoammonium phosphate, because of its ability to smother fires in these types of materials.

B LIQUIDS
Fire extinguishers with a Class B rating are effective against flammable liquid fires. These can be fires where cooking liquids, oil, gasoline, kerosene, or paint have become ignited. Two commonly used chemicals are effective in fighting these types of fires. Monoammonium phosphate effectively smothers the fire, while sodium bicarbonate induces a chemical reaction which extinguishes the fire.

C ELECTRICAL EQUIPMENT
Fire extinguishers with a Class C rating are suitable for fires in "live" electrical equipment. Both monoammonium phosphate and sodium bicarbonate are commonly used to fight this type of fire because of their nonconductive properties.

BRK[®]
THE PROFESSIONAL STANDARD
brkelectronics.com

©2009 BRK Brands, Inc. a Jarden Corporation
Company (NYSE: JAH)
3901 Liberty Street Road
Aurora, IL 60504-8122
All rights reserved.

First Alert is a registered trademark of the First Alert Trust
BRK is a registered trademark of BRK Brands, Inc.
CM2937