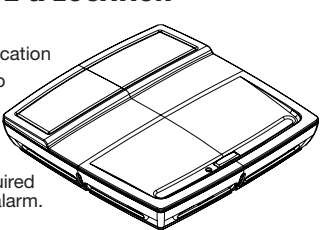


First Alert USER'S MANUAL

10 YEAR CARBON MONOXIDE ALARM WITH VOICE & LOCATION



IMPORTANT! PLEASE READ CAREFULLY AND SAVE.
This user's manual contains important information about your Carbon Monoxide Alarm's operation. If you are installing this Alarm for use by others, you must leave this manual—or a copy of it—with the end user.

Printed in Mexico M08-0478-000 K1 09/13 CONFORMS TO UL STD 2034 Model CO910V

TABLE OF CONTENTS

Introduction 1
 Basic Safety Information 1
Step by Step Guide to Programming This Alarm 1-2
 What You Will See and Hear With This Alarm 2
Installation 2-3
 Where to Install This Alarm 2
 Where This Alarm Should NOT Be Installed 2
 How to Install This Alarm 3
If Your CO Alarm Sounds 3-4
 If the CO Alarm Sounds 3
 Using the Silence Features 4
Weekly Testing 4
Regular Maintenance 4
To Permanently Deactivate the CO Alarm 4
What You Need to Know About CO 4-5
 What is CO? 4
 Symptoms of CO Poisoning 4
 Potential Sources of CO in the Home 5
How can I Protect My Family From CO Poisoning? 5
Regulatory Information For CO Alarms 6
General Limitations Of CO Alarms 6
Troubleshooting Guide 5-6
Limited Warranty 5-6

© 2013 BRK Brands, Inc. All rights reserved.
 Distributed by BRK Brands, Inc.
 3901 Liberty Street Road, Aurora, IL 60504-8122
 Consumer Affairs: (800) 323-9005 • www.firstalert.com

INTRODUCTION

BASIC SAFETY INFORMATION

IMPORTANT!

- Dangers, Warnings, and Cautions alert you to important operating instructions or to potentially hazardous situations. Pay special attention to these items.
- This CO Alarm is approved for use in single-family residences. It is NOT designed for marine or RV use.

CAUTION!

- This carbon monoxide Alarm is designed to detect carbon monoxide gas from ANY source of combustion. This CO Alarm is not designed to detect smoke, fire, or any other gas. It will only indicate the presence of carbon monoxide gas at the sensor. Carbon monoxide gas may be present in other areas.

WARNING!

- This unit will not operate without battery power. The CO Alarm cannot work until you activate the battery power pack.
- NEVER ignore any alarm. See "If Your CO Alarm Sounds" for more information on how to respond to an alarm. Failure to respond can result in injury or death.

- The Silence Features are for your convenience only and will not correct a problem. See "Using the Silence Features" for details. Always check your home for a potential problem after any alarm. Failure to do so can result in injury or death.
- Test this CO Alarm once a week. If the Alarm ever fails to test correctly, have it replaced immediately! If the Alarm is not working properly, it cannot alert you to a problem.
- This product is intended for use in ordinary indoor locations of family living units. It is not designed to measure CO levels in compliance with Occupational Safety and Health Administration (OSHA) commercial or industrial standards. Individuals with medical conditions that may make them more sensitive to carbon monoxide may consider using warning devices which provide audible and visual signals for carbon monoxide concentrations under 30 ppm. For additional information on carbon monoxide and your medical condition contact your physician.

STEP BY STEP GUIDE TO PROGRAMMING THIS ALARM

For First Time and When Activating Alarm

Action:	Alarm Will Say:
1. Activate Alarm (If the battery has not been activated, perform Step 8 on page 3).	"Welcome, First Alert Carbon Monoxide Alarm." "No location programmed" if first time or "Location, example: [Location] location programmed" after activating Alarm. "To select location, press and hold test button now."
2. Press & Hold Test Button if you would like to program the location or change the location of the Alarm. Release button after Alarm responds.	"To save location, press and hold test button after location is heard." Alarm will speak list of locations (see below).
3. After you hear the location of where you are placing the Alarm, Press & Hold the test Button.	"[Location, example: "Kitchen"] location saved." If no location is chosen: "No location saved."

Your Alarm has now been programmed for the location of your choice. Available locations: Basement, Hallway, Office, Child's Bedroom, Living Room, Kitchen, Utility Room, Dining Room, Master Bedroom, Guest Bedroom, Family Room, No Location

For Reprogramming
 When it is necessary to reprogram the Alarm after the unit has been activated and is in normal operation: Tap the Test button 5 times to reset the Alarm to again access the programming menu.

For your records, please record:

Date Purchased:	_____ / _____ / _____
Where Purchased:	_____
Date Installed:	_____ / _____ / _____

WHAT YOU WILL SEE AND HEAR WITH THIS ALARM

Under Normal Operations

- Voice: Silent
- Power LED: Flashes Green once a minute
- Horn: Silent

When You Test the Alarm

- Voice: "Warning, evacuate carbon monoxide in [Location, example: "Kitchen"]. Evacuate."
Horn: 4 beeps, pause, 4 beeps, voice
LED: Flashes Red

If Battery Becomes Low

- Voice: "Please see manual." Repeated every 5 hours
Horn: chirps once a minute
Power LED: Flashes Green approximately once a minute

If Alarm is Not Operating Properly

- Voice: "Detector error in [Location, example "Kitchen"], please see manual." Repeated every 5 hours
Horn: 3 chirps every minute
LED: Three Green flashes approximately once a minute

Alarm has reached its End of Life

- Voice: "Detector error in [Location, example "Basement"], please see manual." Repeated every 5 hours
Horn: 5 chirps every minute
LED: Five Green flashes approximately once a minute

Alarm Levels of CO are Detected

- Voice: "Warning, evacuate carbon monoxide in [Location, example: "Kitchen"]. Evacuate." _____ ppm."
Horn: 4 beeps, pause, 4 beeps, voice
LED: Flashes Red

*NOTE: If unit goes into CO alarm, the regular 4 beeps-brief pause cycle will repeat for four minutes. After four minutes, the pause will increase to one minute.

INSTALLATION

WHERE TO INSTALL THIS ALARM

The National Fire Protection Association (NFPA) recommends that a CO Alarm should be centrally located outside of each separate sleeping area in the immediate vicinity of the bedrooms. For added protection, install additional CO Alarms in each separate bedroom, and on every level of your home.

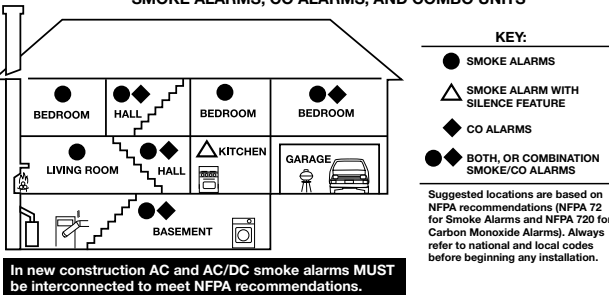
- NOTE: For added protection, install an additional CO Alarm at least 15 feet (4.6 meters) away from the furnace or fuel burning heat source where possible. In smaller homes or in manufactured homes where this distance cannot be maintained, install the Alarm as far away as possible from the furnace or other fuel burning source. Installing the Alarm closer than 15 feet (4.6 meters) will not harm the Alarm, but may increase the frequency of unwanted alarms.

In general, install Carbon Monoxide Alarms:

- On every level of your home, including finished attics and basements.
- In the hall near every sleeping area. If a hall is more than 40 feet (12 meters) long, install a unit at each end.
- At the top of first-to-second floor stairs.
- At the bottom of the basement stairs.
- For additional coverage, install Alarms in all rooms, halls, and storage areas, where temperatures normally remain between 40° F and 100° F (4.4° C and 37.8° C).

Recommended Placement

SUGGESTED AREAS FOR INSTALLING SMOKE ALARMS, CO ALARMS, AND COMBO UNITS



NOTE: For any location, make sure no door or other obstruction could keep carbon monoxide from reaching the Alarm.

Installing CO Alarms in Mobile Homes
 For minimum security install one Smoke/CO Alarm as close to each sleeping area as possible. For more security, put one unit in each room. Many older mobile homes (especially those built before 1978) have little or no insulation. If your mobile home is not well insulated, or if you are unsure of the amount of insulation, it is important to install units on inside walls only.

WHERE THIS ALARM SHOULD NOT BE INSTALLED

Do NOT locate this CO Alarm:

- In garages, furnace rooms, crawl spaces and unfinished attics. Avoid extremely dusty, dirty or greasy areas.
- Where combustion particles are produced. Combustion particles form when something burns. Areas to avoid include poorly ventilated kitchens, garages, and furnace rooms. Keep units at least 20 feet (6 meters) from the sources of combustion particles (stove, furnace, water heater, space heater) if possible. In areas where a 20-foot (6 meter) distance is not possible – in modular, mobile, or smaller homes, for example – it is recommended the Alarm be placed as far from these fuel-burning sources as possible. The placement recommendations are intended to keep these Alarms at a reasonable distance from a fuel-burning source, and thus reduce "unwanted" alarms. Unwanted alarms can occur if a CO Alarm is placed directly next to a fuel-burning source. Ventilate these areas as much as possible.
- In direct sunlight.
- In turbulent air, like near ceiling fans or open windows. Blowing air may prevent CO from reaching the sensors.
- In areas where temperature is colder than 40° F (4.4° C) or hotter than 100° F (37.8° C). These areas include non-air-conditioned crawl spaces, unfinished attics, uninsulated or poorly insulated ceilings, porches, and garages.
- In insect infested areas. Insects can clog the openings to the sensing chamber.
- Less than 12 inches (305 mm) away from fluorescent lights. Electrical "noise" can interfere with the sensor.
- In "dead air" spaces. See "Avoiding Dead Air Spaces".

AVOIDING DEAD AIR SPACES

"Dead air" spaces may prevent CO from reaching the CO Alarm. To avoid dead air spaces, follow installation recommendations.

Replace alarm 10 years after installation. Please write the date in the space provided: _____ / _____ / _____ Month/Year

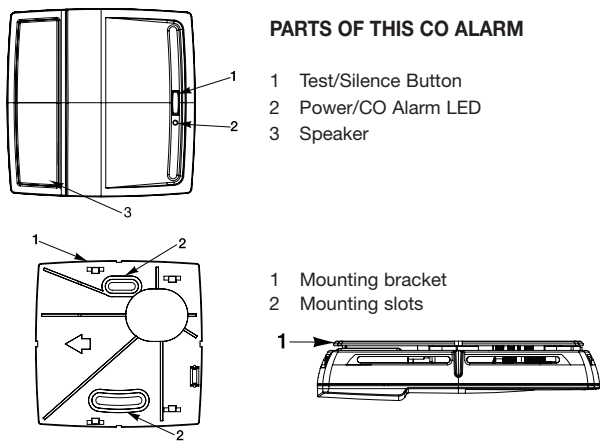
The alarm will also provide an audible End-of-Life Signal approximately 10 years after installation to remind you to replace the unit.

The End-of-Life Signal can be silenced for up to 2 days. Do not unplug or deactivate the alarm until you get replacement.

HOW TO INSTALL THIS ALARM

IMPORTANT!

This combination Smoke/CO Alarm was designed to be mounted on the ceiling or wall. It is not a tabletop device. You must install this device on the ceiling or wall as outlined below. Read "Where To Install This Alarm" before starting.



Tools you will need: pencil, drill with 3/16" or 5mm drill bit, flathead screwdriver, hammer.

NOTE: Be sure to mount the product in the orientation specified in the next steps as this provides the most stability for mounting the product to the wall. This CO Alarm can either be wall mounted or placed on a tabletop.

FOR WALL MOUNTING FOLLOW THESE SIMPLE STEPS:

- Turn alarm upside down so the circular shape is located in the upper left corner of the alarm.
- Slide mounting bracket to the left and lift to separate from the base.
- Hold the mounting bracket against the wall so the arrow located on the mounting plate is pointing to the left. (The circular shape will now be in upper right-hand corner). Trace around the insides of the mounting slots.
- Put the unit where it won't get covered with dust when you drill the mounting holes.
- Using a 3/16" (5 mm) drill bit, drill a hole through the center of the oval outlines you traced in step #3.
- Insert the plastic screw anchors (in the plastic bag with screws) into the holes. Tap the screw anchors gently with a hammer, if necessary, until they are flush with the wall.
- Attach the mounting bracket to the wall.
- Activate the battery. Move the activation switch to center position against tab stop. Unit will not mount on mounting bracket unless activated. Once unit is activated, it cannot be turned off.
- NOTE: After you activate the battery, the power indicator light may flash. (If the unit alarms, the light will blink rapidly, and the horn will repeatedly sound 4 beeps, pause, 4 beeps.)
- Attach the CO Alarm to the mounting bracket. Line up the arrow on the back of the unit to the arrow on the mounting bracket. When the units are lined up, slide the alarm to the right until it snaps into place.
- NOTE: Once the CO Alarm is snapped onto the mounting bracket, you can rotate CO Alarm to adjust the alignment.

10. Test the Alarm. See "Weekly Testing."

TABLETOP PLACEMENT:

Your CO Alarm may also be placed on a tabletop by fastening the 2 stands provided. If using this approach, be sure the Alarm is no more than 3 feet (0.9 meters) from the floor to minimize the risk of causing permanent damage to the Alarm in the event it accidentally falls to the ground.

IF YOUR CO ALARM SOUNDS

Type of Alarm	What You See and Hear
Carbon Monoxide (CO)	Voice: "Warning, evacuate carbon monoxide in [Location, example: "Kitchen"]. Evacuate." _____ ppm." Horn: 4 beeps, pause, 4 beeps, voice LED: Flashes Red

IF THE CO ALARM SOUNDS

"ALARM-MOVE TO FRESH AIR"
 If you hear the CO alarm horn and the CO red light is flashing, move everyone to a source of fresh air. DO NOT deactivate the Alarm!

WARNING!

Activation of your CO Alarm indicates the presence of carbon monoxide (CO) which can kill you. In other words, when your CO Alarm sounds, you must not ignore it!

IF THE CO ALARM SIGNAL SOUNDS:

- Press the Test/Silence button.
- Call your emergency services, fire department or 911. Write down the number of your local emergency service here.
- Immediately move to fresh air—outdoors or by an open door or window. Do a head count to check that all persons are accounted for. Do not re-enter the premises, or move away from the open door or window until the emergency services responder has arrived, the premises have been aired out, and your CO Alarm remains in its normal condition.
- After following steps 1-3, if your CO Alarm reactivates within a 24-hour period, repeat steps 1-3 and call a qualified appliance technician to investigate for sources of CO from fuel-burning equipment and appliances, and inspect for proper operation of this equipment. If problems are identified during this inspection have the equipment serviced immediately. Note any combustion equipment not inspected by the technician, and consult the manufacturers' instructions, or contact the manufacturers directly, for more information about CO safety and this equipment. Make sure that motor vehicles are not, and have not, been operating in an attached garage or adjacent to the residence. Write down the number of a qualified appliance technician here.

NOTE: A qualified appliance technician is defined as "a person, firm, corporation, or company that either in person or through a representative, is engaged in and responsible for the installation, testing, servicing, or replacement of heating, ventilation, air conditioning (HVAC) equipment, combustion appliances and equipment, and/or gas fireplaces or other decorative combustion equipment."

Continued...

IF YOUR CO ALARM SOUNDS, Continued

AFTER AN ALARM

After the emergency responders arrive, the premises aired out, and your CO Alarm remains in its normal condition, you can check what the highest carbon monoxide level sensed was:

Action:	Alarm Will Say:
1. Press & Hold Test Button	"Highest carbon monoxide level was _____ ppm. Please see manual." "To clear highest carbon monoxide level, press and hold test button now."
2. Press & Hold Test Button, if you would like to clear the highest level sensed.	"Highest carbon monoxide level cleared."
If you would like to keep the highest level in memory, do not press anything.	Alarm will say nothing.

USING THE SILENCE FEATURES

WARNING!

Never deactivate the unit to quiet an unwanted alarm. Deactivating the alarm disables the unit and removes your protection.

The Silence Feature is intended to temporarily silence the horn while you identify and correct the problem. Do not use the Silence Feature in emergency situations. It will not correct a CO problem.

The Silence Feature can temporarily quiet an unwanted alarm for several minutes. Press the Test/Silence button on the alarm cover for at least 3-5 seconds.

After the Test/Silence button is released, the Red LED blinks during the silence mode.

When the CO Alarm is Silenced

The CO Alarm will remain silent for up to 4 minutes. After 4 minutes, if CO levels remain potentially dangerous the horn will start sounding again.

SILENCING THE LOW BATTERY WARNING

This silence feature can temporarily quiet the low battery warning "chirp" for up to 8 hours. You can silence the low battery warning "chirp" by pressing the Test/Silence button on the alarm cover.

Once the low battery warning "chirp" silence feature is activated, the unit continues to flash the Green light once a minute for 8 hours. After 8 hours, the low battery "chirp" will resume. Replace the Alarm as soon as possible; this unit will not operate without battery power!

To deactivate this feature: Press the Test/Silence button again. The unit will go into Test Mode and the low battery warning will resume (LED flashes and unit sounds "chirp" once a minute).

SILENCING THE END OF LIFE SIGNAL

This silence feature can temporarily quiet the End of Life warning "chirp" for up to 2 days. You can silence the End of Life warning "chirp" by pressing the Test/Silence button. The horn will chirp, acknowledging that the End of Life silence feature has been activated.

After approximately 2 days, the End of Life "chirp" will resume.

WEEKLY TESTING

WARNING!

- NEVER use an open flame of any kind to test this unit. You might accidentally damage or set fire to the unit or to your home. NEVER use vehicle exhaust. Exhaust may cause permanent damage and voids your warranty.
- DO NOT stand close to the Alarm when the horn is sounding. Exposure at close range may be harmful to your hearing. When testing, step away when horn starts sounding.

CAUTION!

It is important to test this unit every week to make sure it is working properly. Using the test button is the recommended way to test this CO Alarm.

You can test this CO Alarm by pressing and holding the Test/Silence button on the Alarm cover until Alarm Voice says "Testing" (typically 3-5 seconds).

During testing, you will see and hear the following sequence:

- The Horn will sound 4 beeps, pause, 4 beeps. The Alarm Voice will say "Warning, evacuate carbon monoxide in [Location, example: "Kitchen"]. Evacuate." The POWER LED flashes Red.

If the unit does not alarm, make sure it has been activated correctly, and test again. If the unit still does not alarm, replace it immediately.

REGULAR MAINTENANCE

This unit has been designed to be as maintenance-free as possible, but there are a few simple things you must do to keep it working properly.

- Test it at least once a week.
- Clean the CO Alarm at least once a month; gently vacuum the outside of the CO Alarm using your household vacuum's soft brush attachment. A can of clean compressed air (sold at computer or office supply stores) may also be used. Follow manufacturer instructions for use. Test the CO Alarm. Never use water, cleaners or solvents since they may damage the unit.
- If the CO Alarm becomes contaminated by excessive dirt, dust and/or grime, and cannot be cleaned to avoid unwanted alarms, replace the unit immediately.
- Relocate the unit if it sounds frequent unwanted alarms. See "Where This Alarm Should Not Be Installed" for details.

IMPORTANT!

Actual battery service life depends on the CO Alarm and the environment in which it is installed. Regardless of the manufacturer's suggested battery life, you MUST replace the Alarm immediately once the unit starts "chirping" (the "low battery warning").

TO PERMANENTLY DEACTIVATE THE CO ALARM

After 10 years of operation or Low Battery warning, deactivate the Alarm: Insert a tool below edge where shown and break tab. Then slide activation switch to discharge mode.

NOTE: At end of life or low battery indication (chirp): unit must be put in to deactivation mode to discharge remaining stored energy in battery. Unit will no longer function once put into this mode. Unit will resist re-mounting.

WHAT YOU NEED TO KNOW ABOUT CO

WHAT IS CO?

CO is an invisible, odorless, tasteless gas produced when fossil fuels do not burn completely, or are exposed to heat (usually fire). Electrical appliances typically do not produce CO.

These fuels include: Wood, coal, charcoal, oil, natural gas, gasoline, kerosene, and propane.

Common appliances are often sources of CO. If they are not properly maintained, are improperly ventilated, or malfunction, CO levels can rise quickly. CO is a real danger now that homes are more energy efficient. "Air-tight" homes with added insulation, sealed windows, and other weatherproofing can "trap" CO inside.

SYMPTOMS OF CO POISONING

These symptoms are related to CO POISONING and should be discussed with ALL household members.

Mild Exposure: Slight headache, nausea, vomiting, fatigue ("flu-like" symptoms).

Medium Exposure: Throbbing headache, drowsiness, confusion, fast heart rate.

Extreme Exposure: Convulsions, unconsciousness, heart and lung failure. Exposure to Carbon Monoxide can cause brain damage, death.

SYMPTOMS OF CO POISONING, Continued

IMPORTANT!

This CO Alarm measures exposure to CO over time. It alarms if CO levels are extremely high in a short period of time, or if CO levels reach a certain minimum over a long period of time. The CO Alarm generally sounds an alarm before the onset of symptoms in average, healthy adults. Why is this important? Because you need to be warned of a potential CO problem while you can still react in time. In many reported cases of CO exposure, victims may be aware that they are not feeling well, but become disoriented and can no longer react well enough to exit the building or get help. Also, young children and pets may be the first affected. The average healthy adult might not feel any symptoms when the CO Alarm sounds. However, people with cardiac or respiratory problems, infants, unborn babies, pregnant mothers, or elderly people can be more quickly and severely affected by CO. If you experience even mild symptoms of CO poisoning, consult your doctor immediately!

FINDING THE SOURCE OF CO AFTER AN ALARM

Carbon monoxide is an odorless, invisible gas, which often makes it difficult to locate the source of CO after an alarm. These are a few of the factors that can make it difficult to locate sources of CO:

- House well ventilated before the investigator arrives.
- Problem caused by "backdrafting."
- Transient CO problem caused by special circumstances.

Because CO may dissipate by the time an investigator arrives, it may be difficult to locate the source of CO. BRK Brands, Inc. shall not be obligated to pay for any carbon monoxide investigation or service call.

POTENTIAL SOURCES OF CO IN THE HOME

Fuel-burning appliances like: portable heater, gas or wood burning fireplace, gas kitchen range or cooktop, gas clothes dryer.

Damaged or insufficient venting: corroded or disconnected water heater vent pipe, leaking chimney pipe or flue, or cracked heat exchanger, blocked or clogged chimney opening.

Improper use of appliance/device:

operating a grill or vehicle in an enclosed area (like a garage or screened porch).

Transient CO Problems: "transient" or on-again-off-again CO problems can be caused by outdoor conditions and other special circumstances.

The following conditions can result in transient CO situations:

- Excessive spillage or reverse venting of fuel appliances caused by outdoor conditions such as:
 - Wind direction and/or velocity, including high, gusty winds. Heavy air in the vent pipes (cold/humid air with extended periods between cycles).
 - Negative pressure differential resulting from the use of exhaust fans.
 - Several appliances running at the same time competing for limited fresh air.
 - Vent pipe connections vibrating loose from clothes dryers, furnaces, or water heaters.
 - Obstructions in or unconventional vent pipe designs which can amplify the above situations.
- Extended operation of unvented fuel burning devices (range, oven, fireplace).
- Temperature inversions, which can trap exhaust close to the ground.
- Car idling in an open or closed attached garage, or near a home.

These conditions are dangerous because they can trap exhaust in your home. Since these conditions can come and go, they are also hard to recreate during a CO investigation.

HOW CAN I PROTECT MY FAMILY FROM CO POISONING?

A CO Alarm is an excellent means of protection. It monitors the air and sounds a loud alarm before Carbon Monoxide levels become threatening to average, healthy adults.

A CO Alarm is not a substitute for proper maintenance of home appliances.

- To help prevent CO problems and reduce the risk of CO poisoning:
 - Clean chimneys and flues yearly. Keep them free of debris, leaves, and nests for proper air flow. Also, have a professional check for rust and corrosion, cracks or separations. These conditions can prevent proper air movement and cause backdrafting. Never "cap" or cover a chimney in any way that would block air flow.
 - Test and maintain all fuel-burning equipment annually. Many local gas or oil companies and HVAC companies offer appliance inspections for a nominal fee.
 - Make regular visual inspections of all fuel-burning appliances. Check appliances for excessive rust and scaling. Also check the flame on the burner and pilot lights. The flame should be blue. A yellow flame means fuel is not being burned completely and CO may be present. Keep the blower door on the furnace closed. Use vents or fans when they are available on all fuel-burning appliances. Make sure appliances are vented to the outside. Do not grill or barbecue indoors, or in garages or on screen porches.
 - Check for exhaust backflow from CO sources. Check the draft hood on an operating furnace for a backdraft. Look for cracks on furnace heat exchangers.
 - Check the house or garage on the other side of shared wall.
 - Keep windows and doors open slightly. If you suspect that CO is escaping into your home, open a window or a door. Opening windows and doors can significantly decrease CO levels.

In addition, familiarize yourself with all enclosed materials. Read this manual in its entirety, and make sure you understand what to do if your CO Alarm sounds.

This CO Alarm has a limited life. Although this CO Alarm and all of its parts have passed many stringent tests and are designed to be as reliable as possible, any of these parts could fail at any time. Therefore, you must test this device weekly. The unit should be replaced immediately if it is not operating properly.

This CO Alarm is not foolproof. Like all other electronic devices, this CO Alarm has limitations. It can only detect CO that reaches the sensors. It may not give early warning of the source of CO is in a remote part of the home, away from the alarm device.

IF YOU ARE FEELING SYMPTOMS OF CO POISONING, EVACUATE your home and call 911 or the Fire Department. Refer to "If The CO Alarm Sounds" for details.