

SMOKE ALARM

10-YEAR SEALED

BRK®

THE PROFESSIONAL STANDARD

CAT. **P910B**



10-YEAR LITHIUM POWER

10 years of continuous protection.
No battery change required. Provides audible notice when alarm has reached its end of life.

TAMPERPROOF SEALED ALARM

Powercell cannot be removed.

PHOTOELECTRIC

Photoelectric technology is generally more sensitive at detecting large particles, which tend to be produced in greater amounts by smoldering fires.

SILENCE FEATURE

Silences nuisance alarms.

TAMPER RESISTANT

Locks alarm to mounting bracket. Perfect for apartment, dormitory or hotel applications.

Sealed 3V Lithium Power Cell

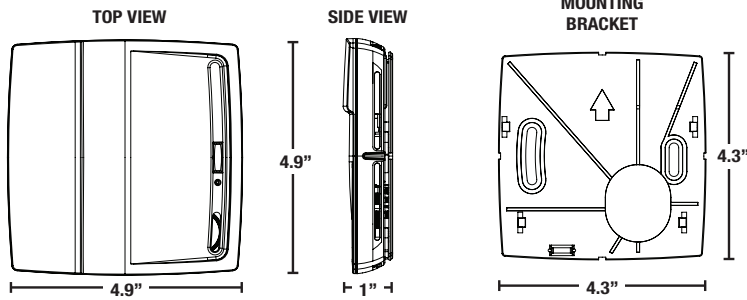
Description:

BRK Model P910 is a battery operated, 3V lithium power cell single station smoke alarm specifically designed for residential and institutional applications including sleeping rooms of hospitals, hotels, motels, dormitories, and other multifamily dwellings as defined in standard NFPA 101. Model P910 has been fully tested and complies with, UL217, CSFM, NFPA 72, and NFPA 101 and other agencies that model their codes after the above agencies. It meets building codes where tamperproof 10-year sealed lithium battery operated smoke alarms are required and with model building codes published by the ICC.

BRK Model P910 is a state of the art smoke alarm designed to provide early warning of a fire. It features a fully insect screened Photoelectric smoke sensing chamber, an 85dB horn, a sealed 10-year lithium power cell power supply that is permanently installed upon activation of unit, a full function test switch, a silence feature to silence unwanted nuisance alarms, a red LED light that indicates DC power or alarm. The tamperproof design will not allow the powercell to be removed. The low power warning indicator will cause the alarm to "chirp" when it reaches the end of its service life and needs to be replaced. Upon end of life, the unit meets UL requirements for disabling the alarm and non-reinstallation of unit to mounting bracket. It also features a tamper resistant locking pin that locks alarm to the mounting bracket. Perfect for apartment, dormitory or hotel applications. The compact, low profile design complements any décor. Designed for wall or ceiling mounting. Includes mounting anchors and screws.



CAT. P910B



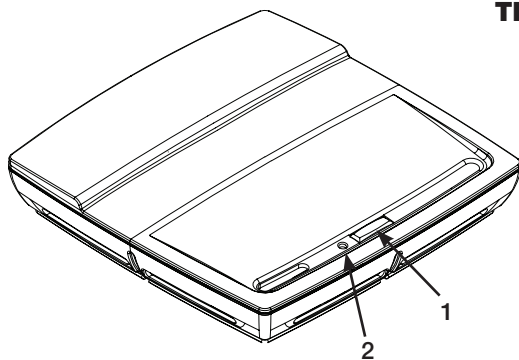
ARCHITECTURAL AND ENGINEERING SPEC

The smoke alarm shall be a BRK Model P910 and shall provide at a minimum the following features and functions:

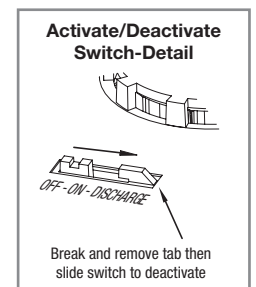
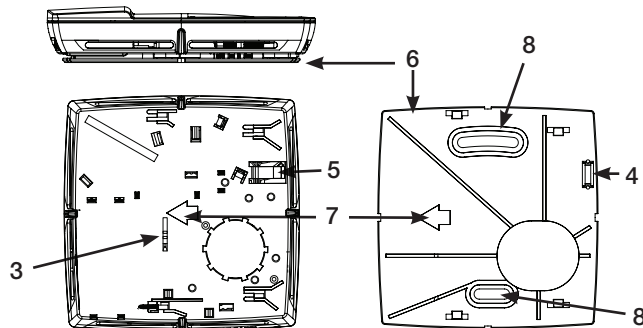
1. A photoelectric smoke sensing chamber.
2. The unit shall be capable of self restoring.
3. A fully screened sensing chamber to resist entry of small insects thereby reducing the probability of unwanted alarms.
4. Powered by a sealed 10-year lithium powercell with a tamperproof design. The tamperproof design shall not allow the powercell to be removed. A low power warning indicator shall cause the alarm to "chirp" when it reaches the end of its service life and needs to be replaced. Upon end of life, the unit shall meet UL requirements for disabling the alarm and the non-reinstallation of unit to mounting bracket.
5. A visual LED power-on indicator to confirm unit is receiving power or is in alarm.
6. A full function test button. The test button should check all alarm functions by stimulating the chamber to simulate a smoke condition, causing the unit to alarm. This unit also has a silence feature to silence unwanted nuisance alarms.
7. A tamper resistant locking pin that locks alarm to the mounting bracket.
8. The unit shall be capable of operating between 40°F (4°C) and 100°F (38°C) and relative humidity between 10% and 90%.
9. The unit shall contain mounting hardware and shall be listed for wall or ceiling mounting.
10. The unit shall at a minimum meet the requirements of UL217, CSFM, NFPA 72, NFPA 101, ICC.

INSTALLATION OF ALARM

Installation of this smoke alarm must conform to NFPA 72. Always check your local building codes. Follow all instructions for placement as outlined in the user's manual in sections titled "Recommended Locations for Smoke Alarms" and "Locations to Avoid for Smoke Alarms".



THE PARTS OF THIS SMOKE ALARM



- | | |
|-------------------------------------|------------------------|
| 1. Test/Silence button | 5. Locking tab |
| 2. LED alarm light | 6. Mounting bracket |
| 3. Activate/Deactivate Switch | 7. "This way up" Arrow |
| 4. Locking tab slot (Break out Tab) | 8. Mounting Slots |

TECHNICAL SPECS

Alarm Dimensions:	4.92"L x 4.92"W x 0.96"H
Weight:	4.7 oz
Operating Voltage:	3V Lithium Power Cell
Temperature Range:	40°F (4°C) to 100°F (38°C)
Humidity Range:	10% to 95% relative humidity (RH)
Audio Alarm:	85dB at 10 feet
Test/Silence:	Electronically simulates smoke condition, causing the unit to alarm. Press and hold test/silence button.
Alarm Reset:	Automatic when smoke clears
Smoke Sensor:	Photoelectric
Indicator Lights/Sounds:	
DC Power:	Intermittent Red LED
Local Alarm:	Audio alarm and rapidly flashing Red LED
Listing:	Listed to UL217 Standard

SHIPPING SPECS

Individual Carton Dimensions	4.94 "L x 1.31"D x 6.63"H
Weight	0.4 lbs.
Cube	0.03 ft3
UPC	0 29054 01184 8
Master Carton Dimensions	10.50 "L x 8.13"W x 6.38"H
Master Pack	12
Weight	5.1 lbs.
Cube:	0.32 ft3
I2of5:	200 29054 01184 2
Pallet Information	
Cases per Layer	19
Number of Layers:	8
Cases per Pallet:	152
Units per Pallet:	1,824
Cube:	62.2 ft3
Weight:	846 lbs.



©2013 BRK Brands, Inc. a Jarden Corporation
Company (NYSE: JAH)
3901 Liberty Street Road
Aurora, IL 60504-8122
All rights reserved

First Alert is a registered trademark of the First Alert Trust
BRK is a registered trademark of BRK Brands, Inc.
CM3180