

CARBON MONOXIDE ALARM

10-YEAR SEALED



CAT. **C0910VB**



10-YEAR LITHIUM POWER

10 years of continuous protection. No battery change required. Provides audible notice when alarm has reached its end of life.

VOICE WARNING WITH LOCATION

Exclusive! A voice will tell you the programmed location of the unit and danger detected.

TAMPERPROOF SEALED ALARM

Powercell cannot be removed.

ELECTROCHEMICAL CO SENSOR

Most accurate technology available for detecting carbon monoxide as compared to other sensing technologies.

SILENCE FEATURE

Silences nuisance alarms.

TAMPER RESISTANT

Locks alarm to mounting bracket. Perfect for apartment, dormitory or hotel applications.

Sealed 3V Lithium Power Cell

Description:

BRK Model C0910V is a battery operated, 3V lithium power cell single station CO alarm specifically designed for residential and institutional applications including sleeping rooms of hospitals, hotels, motels, dormitories, and other multifamily dwellings as defined in standard NFPA 101. Model C0910V has been fully tested and complies with, UL2034 CSFM, NFPA 720, NFPA 101 and other agencies that model their codes after the above agencies. It meets building codes where tamperproof 10-year sealed lithium battery operated CO alarms are required and with model building codes published by the ICC.

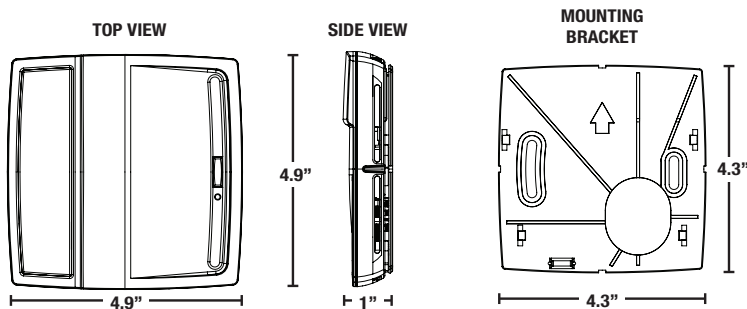
BRK Model C0910V is a state of the art CO alarm designed to provide early warning of a carbon monoxide danger. It features an electrochemical CO sensor and "Voice Warning with Location". This exclusive feature incorporates a voice that will speak one of 11 pre-programmed locations and the danger detected. When the alarm sounds (if programmed for "basement", for example) it will speak "Warning, evacuate, CO in basement". It features a Sweeping Horn Tone that has a lower and varying frequency that makes it easier for the elderly with normal age related hearing loss to hear the horn. It has a sealed 10-year lithium power cell power supply that is permanently installed, a full function test switch, a silence feature to silence unwanted nuisance alarms, a red LED light that indicates DC power or alarm. The tamperproof design will not allow the powercell to be removed. The low power warning indicator will cause the alarm to "chirp" when it reaches the end of its service life and needs to be replaced. Upon end of life, the unit meets UL requirements for disabling the alarm and non-reinstallation of unit to mounting bracket. It also features a tamper resistant locking pin that locks alarm to the mounting bracket. Perfect for apartment, dormitory or hotel applications. The compact, low profile design complements any décor. Designed for wall or ceiling mounting. Includes mounting anchors and screws.



Exclusive!
Voice Warning!
WITH LOCATION!



CAT. C0910VB



ARCHITECTURAL AND ENGINEERING SPEC

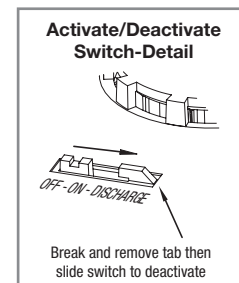
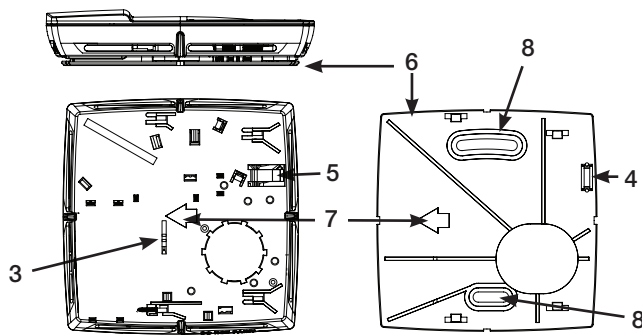
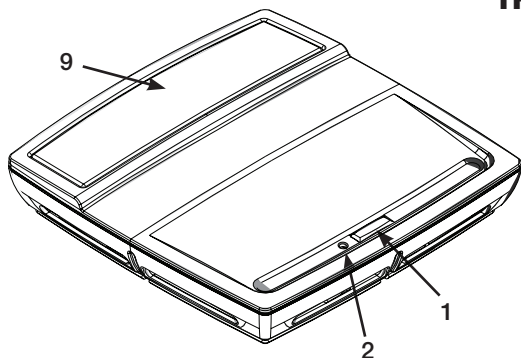
The CO alarm shall be a BRK Model C0910V and shall provide at a minimum the following features and functions:

1. An electrochemical CO sensor.
2. A Voice Warning of danger detected (Carbon Monoxide) in addition to speaking one of 11 pre-programmed locations, e.g. "Warning, Evacuate, CO in Basement".
3. The unit shall have a lower and varying horn frequency to make it easier for the elderly with normal age related hearing loss to better hear the horn.
4. Be capable of self restoring.
5. Powered by a sealed 10-year lithium powercell with a tamperproof design. The tamperproof design shall not allow the powercell to be removed. A low power warning indicator shall cause the alarm to "chirp" when it reaches the end of its service life and needs to be replaced. Upon end of life, the unit shall meet UL requirements for disabling the alarm and the non-reinstallation of unit to mounting bracket.
6. A visual LED power-on indicator to confirm unit is receiving power or is in alarm.
7. A full function test button. The test button should check all alarm functions by stimulating the chamber to simulate a CO condition, causing the unit to alarm.
8. Two Silence features - Low Battery Silence: Silence low battery chirp for up to 8 hours. Alarm Silence: Temporarily silence unwanted nuisance alarms.
9. A tamper resistant locking pin that locks alarm to the mounting bracket.
10. The unit shall be capable of operating between 40°F (4°C) and 100°F (38°C) and relative humidity between 10% and 90%.
11. The unit shall contain mounting hardware and shall be listed for wall or ceiling mounting.
12. The unit shall at a minimum meet the requirements of UL2034, CSFM, NFPA 720, NFPA 101, ICC.

INSTALLATION OF ALARM

Installation of this CO alarm must conform to NFPA 720. Always check your local building codes. Follow all instructions for placement as outlined in the user's manual in sections titled "Recommended Locations for CO Alarms" and "Locations to Avoid for CO Alarms".

THE PARTS OF THIS CO ALARM



- | | |
|-------------------------------------|------------------------|
| 1. Test/Silence button | 6. Mounting bracket |
| 2. LED alarm light | 7. "This way up" Arrow |
| 3. Activate/Deactivate Switch | 8. Mounting Slots |
| 4. Locking tab slot (Break out Tab) | 9. Speaker Grill |
| 5. Locking tab | |

TECHNICAL SPECS

| | |
|--------------------------|---|
| Alarm Dimensions: | 4.92"L x 4.92"W x 0.96"H |
| Weight: | 5.6 oz |
| Operating Voltage: | 3V Lithium Power Cell |
| Temperature Range: | 40°F (4°C) to 100°F (38°C) |
| Humidity Range: | 10% to 95% relative humidity (RH) |
| Audio Alarm: | 85dB at 10 feet |
| Test/Silence: | Electronically simulates CO condition, causing the unit to alarm. Press and hold test/silence button. |
| Alarm Reset: | Automatic when CO clears |
| CO Sensor: | Electrochemical |
| Indicator Lights/Sounds: | |
| DC Power: | Intermittent Red LED |
| Local Alarm: | Audio Alarm, Voice with location, rapidly flashing red LED |
| Listing: | Listed to UL2034 Standard |

SHIPPING SPECS

| | |
|------------------------------|----------------------------|
| Individual Carton Dimensions | 4.94 "L x 1.31"D x 6.63"H |
| Weight | 0.46 lbs. |
| Cube | 0.03 ft3 |
| UPC | 0 29054 01335 4 |
| Master Carton Dimensions | 10.50 "L x 8.13"W x 6.38"H |
| Master Pack | 12 |
| Weight | 5.9 lbs. |
| Cube: | 0.32 ft3 |
| I2of5: | 200 29054 01335 8 |
| Pallet Information | |
| Cases per Layer | 19 |
| Number of Layers: | 8 |
| Cases per Pallet: | 152 |
| Units per Pallet: | 1,824 |
| Cube: | 62.2 ft3 |
| Weight: | 960 lbs. |



©2013 BRK Brands, Inc. a Jarden Corporation Company (NYSE: JAH)
3901 Liberty Street Road
Aurora, IL 60504-8122
All rights reserved

First Alert is a registered trademark of the First Alert Trust
BRK is a registered trademark of BRK Brands, Inc.
CM3184