

SMOKE ALARM

PHOTOELECTRIC

CAT. **7010**



OptiPath 360™
Technology

PHOTOELECTRIC

Photoelectric technology is generally more sensitive at detecting large particles, which tend to be produced in greater amounts by smoldering fires.

LATCHING ALARM INDICATOR

Remembers which unit initiated an alarm.

OPTIPATH 360 TECHNOLOGY™

Provides 360 degrees of direct access to the smoke sensing chamber.

SILENCE FEATURE

Silences nuisance alarms.

LOCKING FEATURE

Pins are provided to lock alarm to base. Perfect for apartment, dormitory or hotel applications.

BRK®

THE PROFESSIONAL STANDARD

120V AC, 60Hz Wire-in

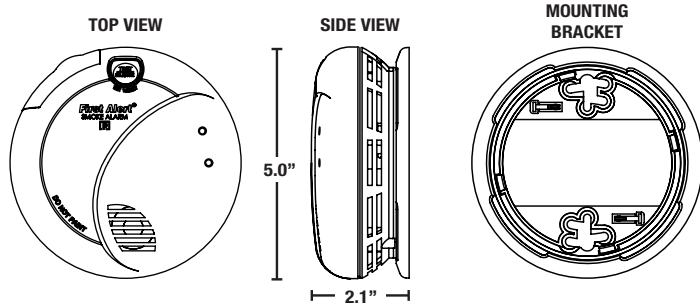
Description:

The BRK Brands, Inc. model number 7010 is a wire-in, 120V AC 60Hz single and/or multiple station photoelectric smoke alarm specifically designed for residential and institutional applications including sleeping rooms of hospitals, hotels, motels, dormitories and other multi-family dwellings as defined in standard NFPA 101. Model 7010 complies with UL217, CSFM, NFPA 72, HUD, FHA and other agencies that model their codes after the above agencies. It meets building codes where AC with silence photoelectric smoke alarms are required. The alarms are interconnectable with up to 18 devices, of which 12 can be smoke alarms.

The BRK 7010 features a photoelectric smoke sensing chamber, an 85dB horn, and a "silence" feature. Optipath 360 technology provides 360 degrees of direct access to the smoke sensing chamber. Alarm Latch: Easily identifies initiating alarm even after alarm condition has subsided. The "Perfect Mount" system features a gasketless base and a mounting bracket that keeps the alarm secure over a wide rotation range to allow for true alignment. This will allow fine-tuning on the positioning to compensate for out of aligned wall studs and to keep the wording level when wall mounting. Other Contractor Preferred features include a dust cover to keep alarm clean during construction, keyhole slots in the mounting bracket eliminate the need to remove the electrical box screws for installation. Locking feature is provided to prevent theft of the unit. Connection to AC power is made with a "Quick-Connect" wiring harness. Installation is quick, easy and cost effective.



CAT. 7010



ARCHITECTURAL AND ENGINEERING SPEC

The smoke alarm shall be a BRK Model 7010 and shall provide at a minimum the following features and functions:

1. A photoelectric smoke sensing chamber.
2. The unit shall be capable of self restoring.
3. A fully screened sensing chamber to resist entry of small insects thereby reducing the probability of unwanted alarms.
4. Powered by 120V AC, 60Hz and a solid state piezo horn rated at 85dB at 10 ft.
5. A visual LED power-on indicator to confirm unit is receiving power or is in alarm.
6. A full function test button. The test button should check all alarm functions by stimulating the chamber to simulate a smoke condition, causing the unit to alarm.
7. Latching & silence features: Alarm Latch to easily identify initiating alarm after alarm condition has subsided. Silence feature - Temporarily silence unwanted nuisance alarms.
8. Locking feature - tamper resistant locking pin that locks alarm to mounting bracket.
9. The unit shall be capable of operating between 40°F (4°C) and 100°F (38°C) and relative humidity between 10% and 95%.
10. The unit shall have a gasketless base for easy installation and be capable of keeping alarm secure over a wide rotation range to allow for true alarm alignment.
11. The unit shall have a plug in connector and be capable of interconnection of up to 18 alarms, 12 of which can be smoke alarms.
12. The unit shall at a minimum meet the requirements of UL217, CSFM, NFPA 72, NFPA 101, ICC.

TECHNICAL SPECS

| | |
|--------------------------|--|
| Alarm Dimensions: | 5.0" Dia. x 2.1"H |
| Weight: | 6.7 oz |
| Operating Voltage: | 120V AC 60Hz |
| Temperature Range: | 40°F (4°C) to 100°F (38°C) |
| Humidity Range: | 10% to 95% relative humidity (RH) |
| Audio Alarm: | 85dB at 10 feet |
| Test/Silence: | Electronically simulates smoke condition, causing the unit to alarm. Press and hold test/silence button. |
| Alarm Reset: | Automatic when smoke clears |
| Interconnections: | Up to 18 units of First Alert or BRK Smoke, CO and Heat Alarms. Maximum of 12 smoke alarms. See user's manual for details. |
| Smoke Sensor: | Photoelectric |
| Indicator Lights/Sounds: | |
| AC Power: | Constant Green LED |
| Local Alarm: | Red LED flashes rapidly |
| Latching Alarm: | Red LED flashes once per second for 3 seconds after local alarm. Pattern repeats approximately every 45 secs. |
| Remote Alarm: | Audio alarm and Red LED out. |
| Listing: | Listed to UL217 Standard |

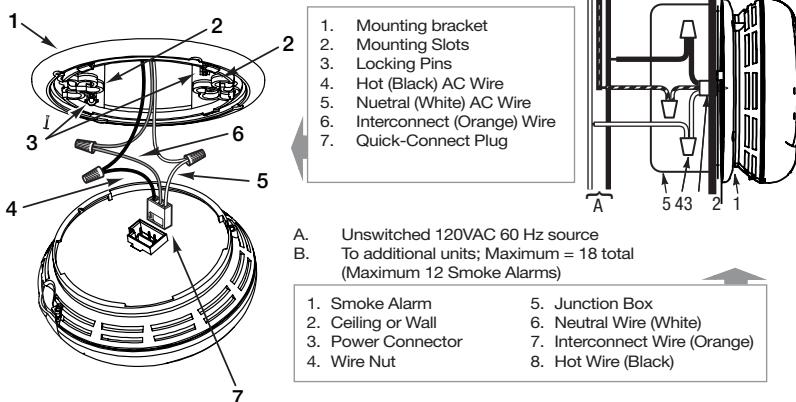
SHIPPING SPECS

| | |
|------------------------------|----------------------------|
| Individual Carton Dimensions | 5.13"L x 2.38"W x 5.13"H |
| Weight | 0.45 lbs. |
| Cube | 0.04 ft ³ |
| UPC | 0 29054 11200 2 |
| Master Carton Dimensions | 10.75"L x 7.88"W x 11.06"H |
| Master Pack | 12 |
| Weight | 5.9 lbs. |
| Cube: | 0.54 ft ³ |
| I2of5: | 100 29054 11200 9 |
| Pallet Information | |
| Cases per Layer | 22 |
| Number of Layers: | 4 |
| Cases per Pallet: | 88 |
| Units per Pallet: | 1,056 |
| Cube: | 54.0 ft ³ |
| Weight: | 572 lbs. |

INSTALLATION OF ALARM

Installation of this smoke alarm must conform to all local electrical codes and Article 760 of the National Electrical Code (NFPA 70) and NFPA 72. Interconnected units must meet the following requirements: Total length of wire interconnecting units should be less than 1000 feet, be #18 gauge or larger and be rated at least 300V. It is recommended that all units be on the same fuse or circuit breaker. If local codes do not permit, be sure the neutral wire is common to both phases.

THE PARTS OF THIS ALARM



©2015 BRK Brands, Inc. a Jarden Corporation Company (NYSE: JAH)
 3901 Liberty Street Road
 Aurora, IL 60504-8122
 All rights reserved

First Alert is a registered trademark of the First Alert Trust
 BRK is a registered trademark of BRK Brands, Inc.
 CM3250-7010